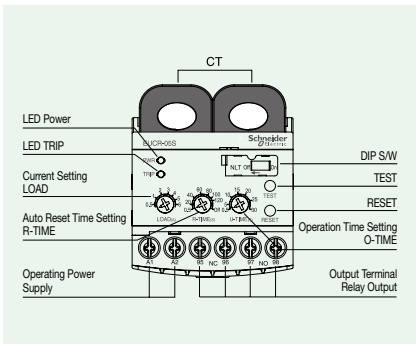


# EUCR

## Electronic Under Current (light-load) Relay



- Under current protection
- Wide current setting range
- Operating current check
- Definite operation time characteristics
- Manual (instant)/electrical (remote) reset
- Strong environmental resistance
- Super energy-saver
- Only R-Type products are manufactured (Non-fail-safe mode)
- Operates by under current if there is no current flow on the line (when the frontal No Load Trip switch is set to On)

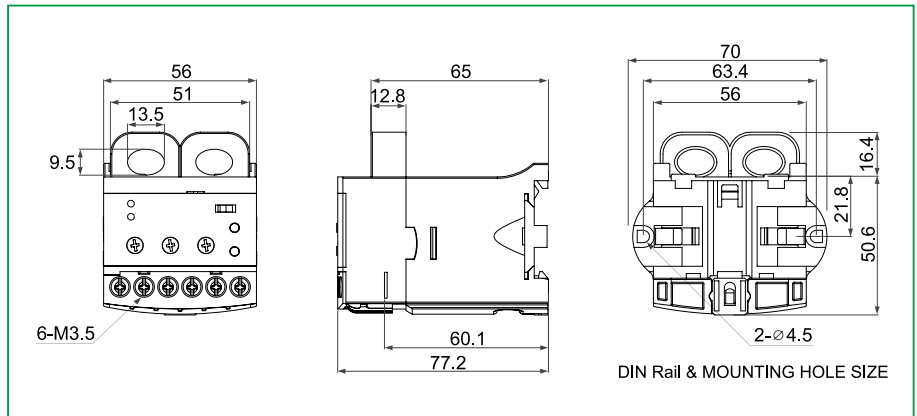
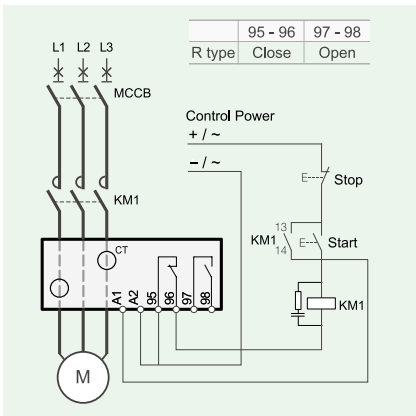


### Protection Function

Protected Items	Operation Time
Under Current (light-load)	O-TIME

### Specifications

<b>Current Setting</b>		Type	Setting Range
		5	0.5~6A
		30	3.0~30A
		60	5.0~60A
		60~400	Used by combining 05 and an external CT (external CT current transformer ratio: 100/5A~400/5A)
<b>Time Setting</b>	Operation Time	O-TIME	0.5~30 sec
		R-TIME	0.5~120 sec, OFF
<b>Reset</b>		Manual/auto electrical reset	
<b>Operation Time Characteristic</b>		Definite	
<b>Operating Power Supply</b>	Voltage	S	24~240V AC/DC
		W	380~440V AC
		Frequency	50/60Hz
<b>Auxiliary Contact</b>	Format		2-SPST (1a1b)
	State		Normally de-energized (R type)
	Rating		AC250V/3A resistive load
<b>Attachment</b>		35mm DIN Rail/Panel	



## How to Order

Reference	Current Range [A]	CT	Operating Power Supply		Notes	
			Voltage [V]	Frequency [Hz]		
EUCR	- 05S	5	-	AC/DC 24~240	DC, 50/60	-
	- 05W	5	-	AC 380~440	50/60	-
	- D1S	5	100:05:00	AC/DC 24~240	DC, 50/60	Rectangular all-in-one 2CT combination
	- DHS	5	150:05:00	AC/DC 24~240	DC, 50/60	Rectangular all-in-one 2CT combination
	- D2S	5	200:05:00	AC/DC 24~240	DC, 50/60	Rectangular all-in-one 2CT combination
	- D3S	5	300:05:00	AC/DC 24~240	DC, 50/60	Rectangular all-in-one 2CT combination
	- D4S	5	400:05:00	AC/DC 24~240	DC, 50/60	Rectangular all-in-one 2CT combination
	- D1W	5	100:05:00	AC 380~440	50/60	Rectangular all-in-one 2CT combination
	- DHW	5	150:05:00	AC 380~440	50/60	Rectangular all-in-one 2CT combination
	- D2W	5	200:05:00	AC 380~440	50/60	Rectangular all-in-one 2CT combination
	- D3W	5	300:05:00	AC 380~440	50/60	Rectangular all-in-one 2CT combination
	- D4W	5	400:05:00	AC 380~440	50/60	Rectangular all-in-one 2CT combination
	- 30S	30	-	AC/DC 24~240	DC, 50/60	-
	- 30W	30	-	AC 380~440	50/60	-
	- 60S	60	-	AC/DC 24~240	DC, 50/60	-
	- 60W	60	-	AC 380~440	50/60	-

### • Accessory

Accessory1			
Model	Reference	CT Current Transformer Ratio	Notes
2CT	2CT-D1-100-C	100:5	Rectangular 2CT
	2CT-DH-150-C	150:5	Rectangular 2CT
	2CT-D2-200-C	200:5	Rectangular 2CT
	2CT-D3-300-C	300:5	Rectangular 2CT
	2CT-D4-400-C	400:5	Rectangular 2CT

### Ordering Example

e.g., To order an EUCR:

**E U C R - 0 5 S**

①      ②

①	Current Range	5	0.5~6A	For 60A or higher, Combine 05Type and an external CT (secondary 5A) for use
		30	3~30A	
		60	5~60A	
②	Operating Power Supply	S	24~240V AC/DC	
		W	380~440V AC	

e.g., To order a 2CT:

**2 C T - D 1 - 1 0 0 - C**

①

①	CT Current Transformer Ratio	D1	100	Rectangular 2CT 100:5
		DH	150	Rectangular 2CT 150:5
		D2	200	Rectangular 2CT 200:5
		D3	300	Rectangular 2CT 300:5
		D4	400	Rectangular 2CT 400:5

※ For a CT combination type, please write an accessory code from the CT Order Codes separately.